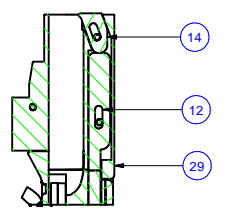
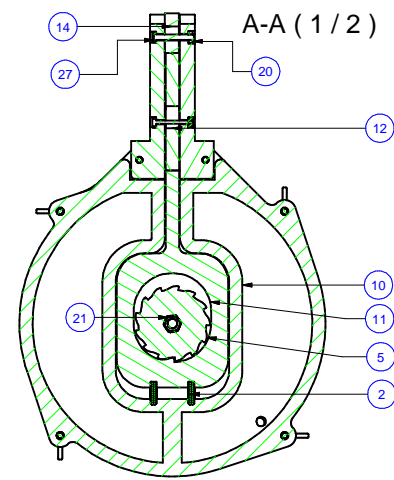
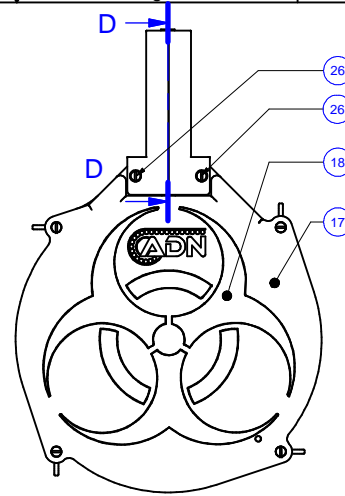
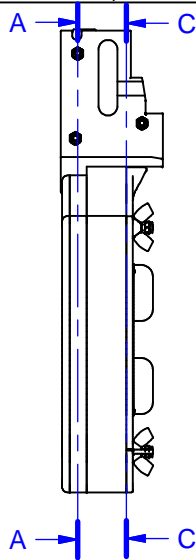
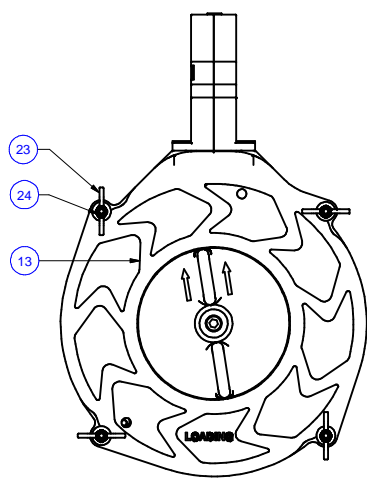
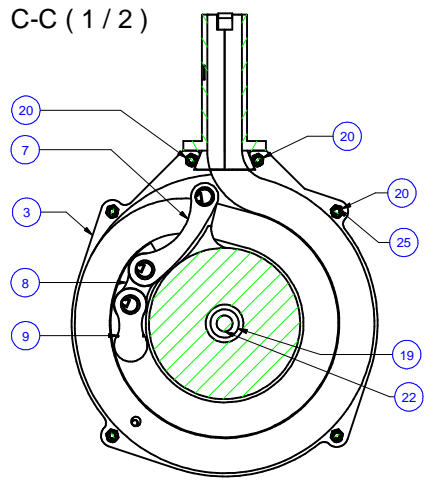
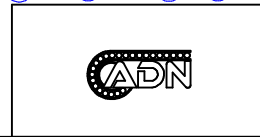
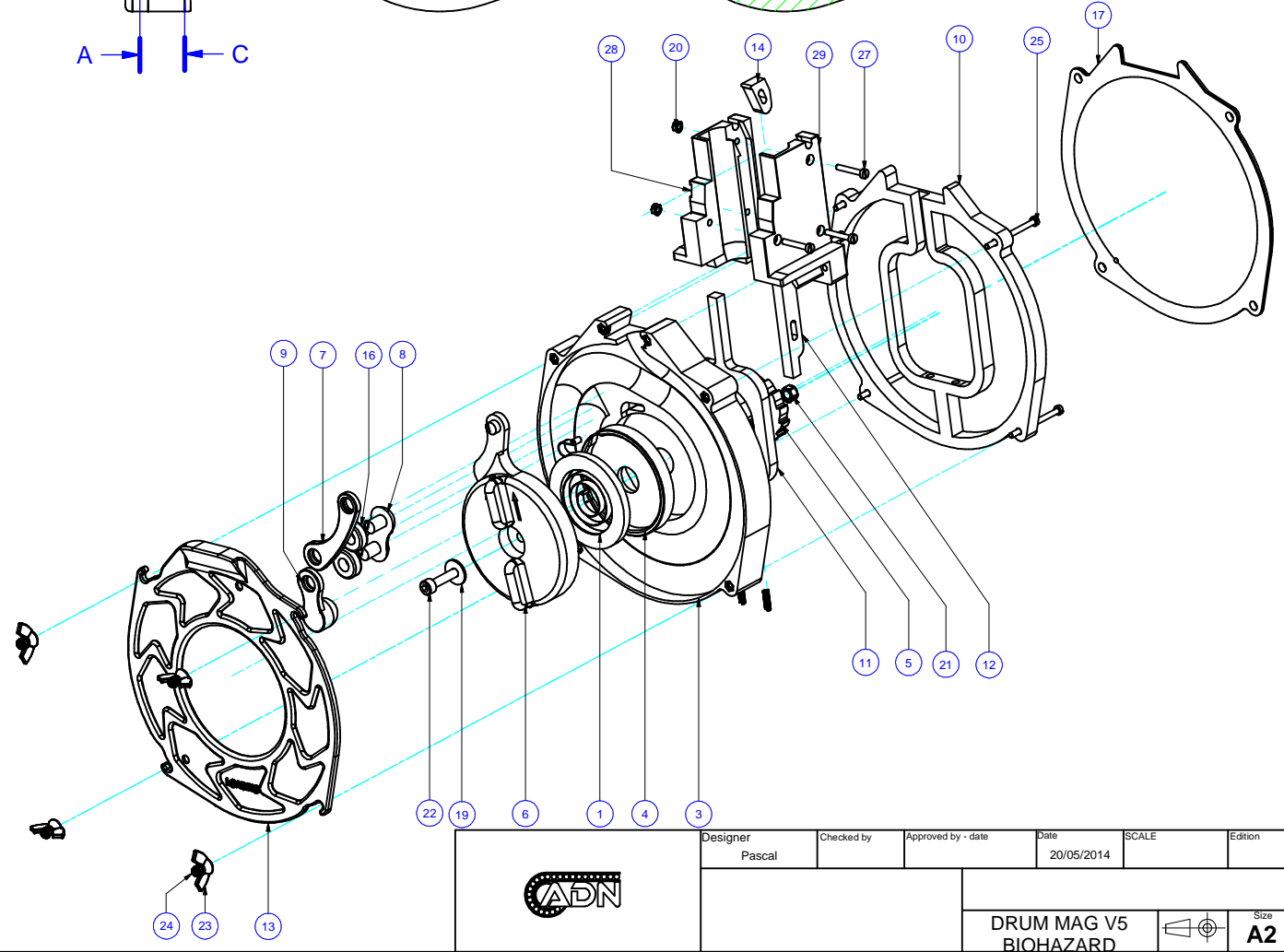


C-C (1/2)



D-D (1/2)

PARTS LIST				
ITEM	QTY	PART NUMBER	DESCRIPTION	VOLUME
1	1	RESSORT STHIL 1129-190-0601	COIL SPRING	7454,111 mm^3
2	2	RESSORT BLOQUEUR/ LOCK SPRING	CA3350-350-679.957012358947	0,053 mm^3
3	1	CHEMIN DE BILLES	SPIRAL WAY	144348,021 mm^3
4	1	BOITIER CENTRAL	COIL SPRING BOX	12806,045 mm^3
5	1	AXE RESSORT	COIL SPRING AXIS	9039,317 mm^3
6	1	ROTOR	ROTOR	68487,028 mm^3
7	1	LEVIER	LEVER	2248,883 mm^3
8	1	POUSSOIR	PUSHER	2917,323 mm^3
9	1	POUSSOIR - 2	CHAIN PUSHER	4143,489 mm^3
10	1	ENTRETOISE	SPACER	69319,183 mm^3
11	1	BLOCAGE RESSORT	COIL SPRING LOCK	17720,296 mm^3
12	1	COMMANDE/CONTROL ARM	CONTROLL ARM	4237,490 mm^3
13	1	FLASQUE ARRIERE/REAR FLANGE	REAR FLANGE	44809,387 mm^3
14	1	BLOQUEUR	BALL LOCK	1301,112 mm^3
16	2	GALET	ROLL	1118,582 mm^3
17	1	BIO HAZARD FLANGE		67516,002 mm^3
18	1	BIOHAZARD SYMBOL		18465,304 mm^3
19	1	RONDELLE M5 L	WASHER M5 L	185,583 mm^3
20	9	ECROU H M3	NUT H M3	45,103 mm^3
21	1	ECROU H M5	NUT H M5	165,158 mm^3
22	1	VIS CHC M5x0.8x25	SCREW CHC M5x0.8x25	734,918 mm^3
23	4	ECROU A OREILLE M3	WING NUT M3	467,467 mm^3
24	4	NYLSTOP M3	NYLSTOP NUT M3	67,904 mm^3
25	4	DIN84A M3x40	SLOTTED SCREW M3x40	324,584 mm^3
26	2	DIN84A M3x30	SLOTTED SCREW M3x30	253,899 mm^3
27	3	DIN84A M3x20	SLOTTED SCREW M3x20	183,213 mm^3
28	1	SPYDER 1 V4		31239,071 mm^3
29	1	SPYDER 2 V4		31520,418 mm^3



Designer Pascal	Checked by	Approved by - date	Date 20/05/2014	SCALE	Edition
			DRUM MAG V5 BIOHAZARD		